

CONCRETE PAD DETAIL FOR THREE PHASE MOUNTED TRANSFORMERS

NOTES

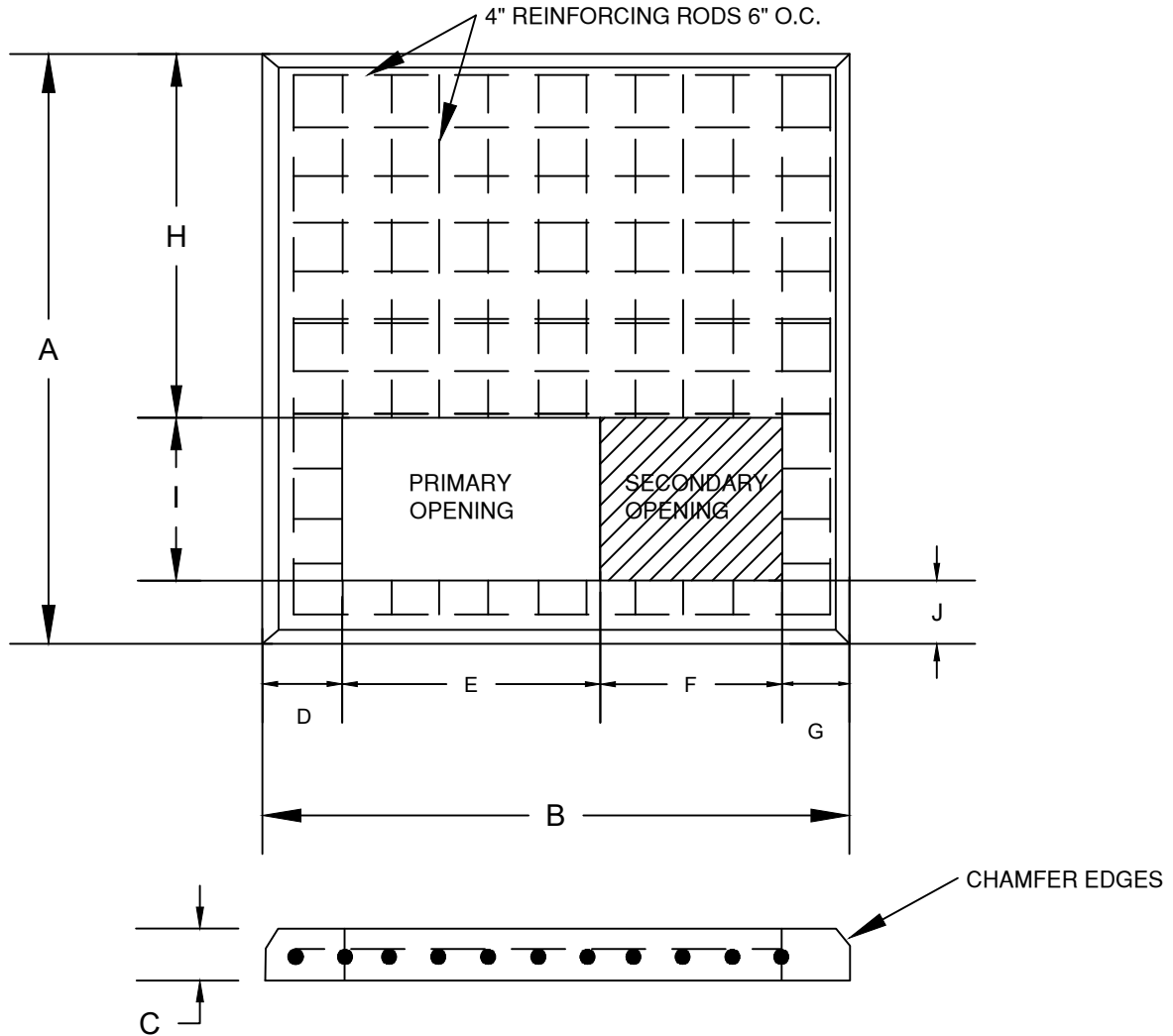
1. Provide clearance from edge of pad to any building, property line, wall, screen wall planting, or any other obstruction in accordance with Memo #15-3.
2. Final location of concrete pad to be spotted in the field by PECE representative.
3. Pad must support transformer weight as shown in table below. If soil will not stand weight per square foot as shown in table, pad area must be increased or piling installed to meet transformer weight requirement.

Transformer Size KVA	Transformer Weight	Weight Per ft ²
45 - 225	8000	150
300 - 500	12000	400
750 - 1000	18000	300
1500 - 2500	23000	500

4. If location is subject to flooding, pad shall be elevated above water level.
5. Location must have heavy truck access not more than 5 feet from pad.
6. Conduits (SCHD40 PVC or GI) must be flush with the top of pad. GI conduit must have a ground type bushing. Number and size as specified by PECE.
7. The following chart indicates the maximum number of conductors per phase that can be placed in the secondary compartment. Recommended service conductors to be 4/0 through 500 KCMIL stranded copper cables or 4/0 through 750 KCMIL stranded aluminum or multiples of the same. If the number of conductors exceeds the quantity listed, PECE's prior approval is required. Secondary termination cabinet may be required.

Transf. Size Kva	Maximum sets of Conductors	Transf. Size Kva	Maximum sets of Conductors	Transf. Size Kva	Maximum sets of Conductors
45 - 150	8	750	12	2500	16
225	8	1000	12	-	-
300	8	1500	12	-	-
500	8	2000	12	-	-

CONCRETE PAD DETAIL FOR THREE PHASE MOUNTED TRANSFORMERS



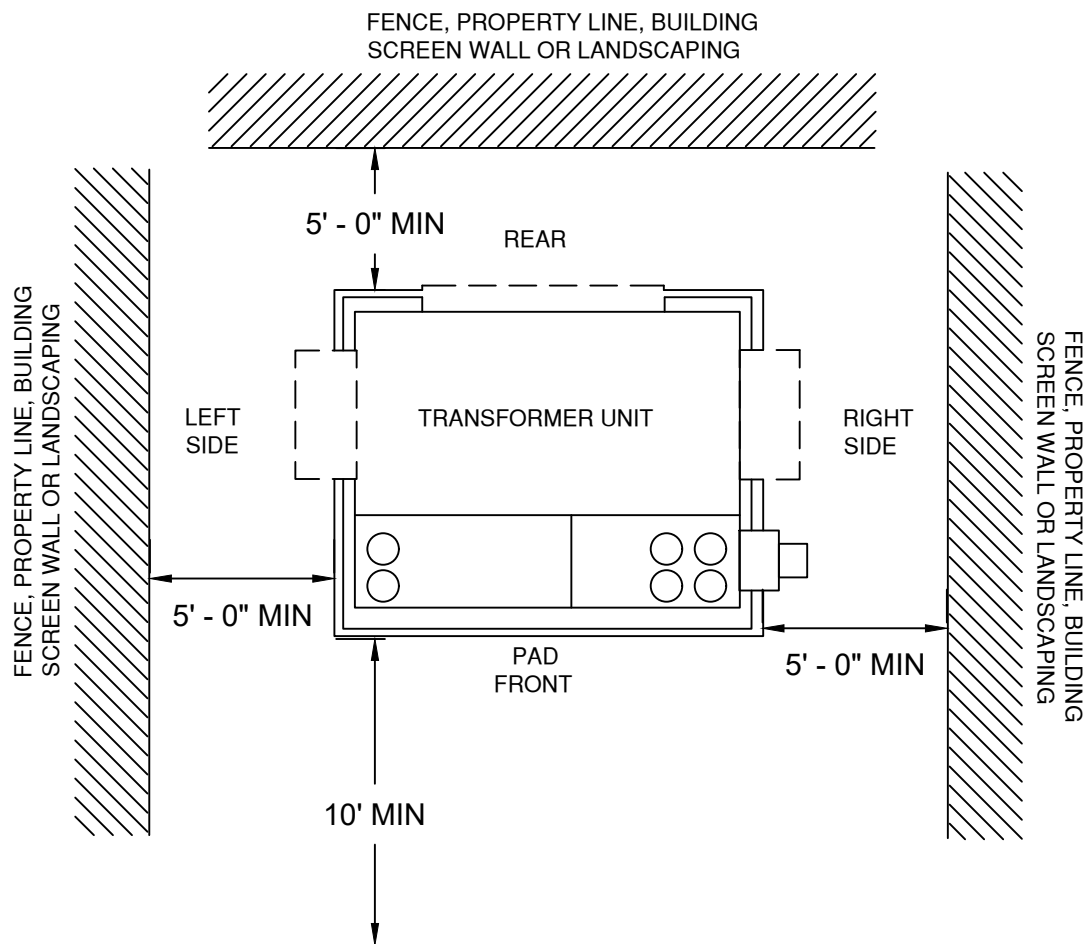
INCHES

KVA	A	B	C	D	E	F	G	H	I	J
45 - 500	76	76	12	8	34	26	8	42	26	8
750 - 1000	90	90	12	15	34	26	15	54	26	10
1500 - 2500	104	104	12	22	34	26	22	68	26	10

NOTES

1. CONCRETE SPECIFICATIONS, MIN 28 DAY COMPRESSIVE STRENGTH - 3000PSI, $\frac{3}{4}$ " AGGREGATE MAXIMUM SIZE.
2. REINFORCING STEEL, ASTM - A615 GRADE 60, PLACE 6" O.C. EACH WAY AND SECURELY TIED TOGETHER.
3. MINIMUM CONCRETE COVER OVER REINFORCING RODS, 3".
4. WOOD FLOAT FINISH, LEAVING NO DEPRESSIONS.
5. PRIMARY & SECONDARY CONDUITS TO BE SEPARATED BY AT LEAST 6".
6. PAD ELEVATION TO BE 6" ABOVE FINISHED GRADE

CONCRETE PAD DETAIL FOR THREE PHASE MOUNTED TRANSFORMERS



FOR CLEARANCES, SEE NOTES 1, 4, & 5

NOTES

1. A 10 foot minimum width corridor, suitable for heavy truck access, shall be provided to within 5 feet of the transformer.
2. Final pad location and orientation to be spotted on job site by PECl company representative.
3. Transformer location should not be within 10 feet of cooling tower or apparatus which could damage the transformer's finish.
4. A minimum working distance of 10 feet from the front of the pad.
5. There shall be no building overhang or any structure directly above the concrete transformer pad for a minimum vertical clearance of 40 feet.
6. Suitable protection from vehicles to be provided by customer where deemed necessary and approved by PECl.
7. Meter should be readily visible or where it faces a building wall, a minimum clearance of 36 inches from wall and access to it must be provided.
8. No foreign underground utility lines shall pass underneath or within 6 feet from the edge of the concrete transformer pad.
9. Do not install sprinkler systems within watering distance of any electrical equipment.
10. See Memo #19 for landscaping specifications around transformer.